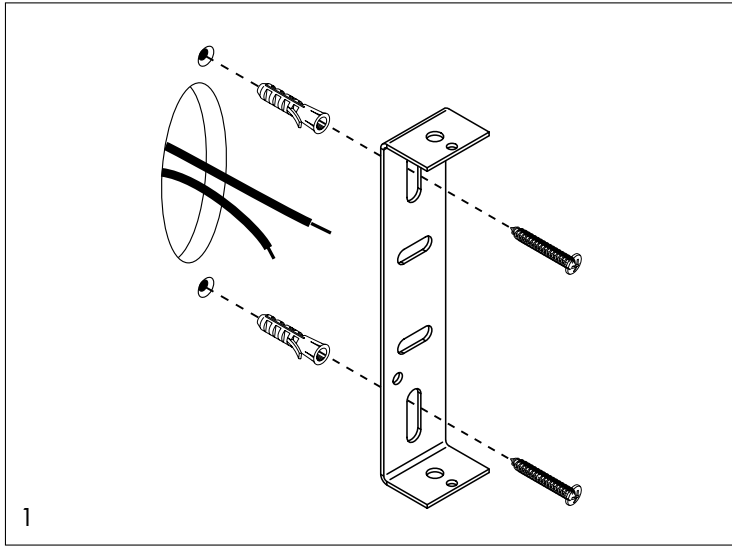


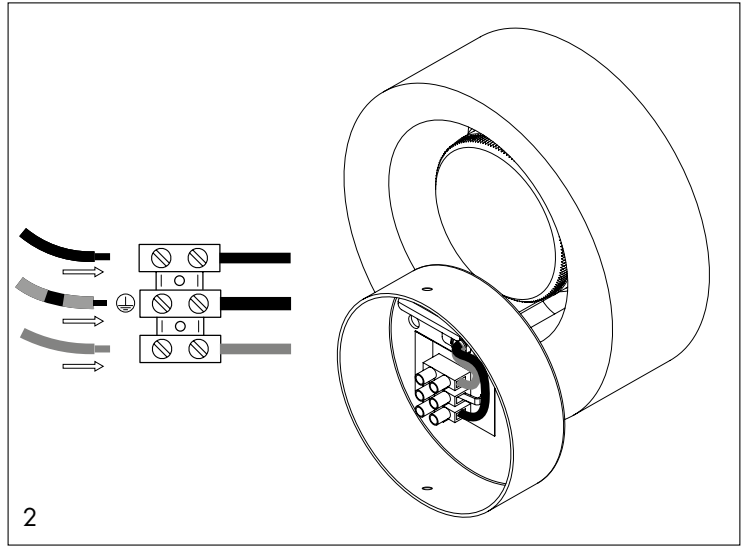
# Ambra Wall Round

assembly and mounting instructions

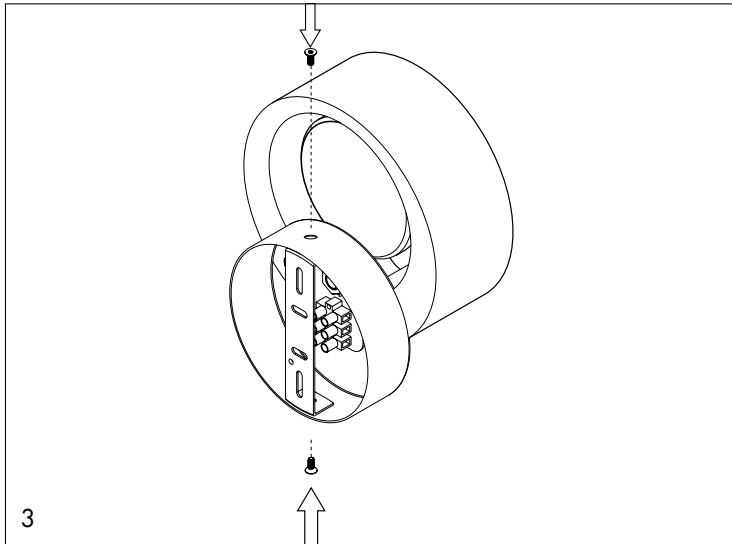
davidpompa



Disconnect the power by turning off the circuit breaker, or by removing the fuse in the fuse box before assembling and mounting the canopy. Fix the mounting plate to the ceiling with dowels and screws.

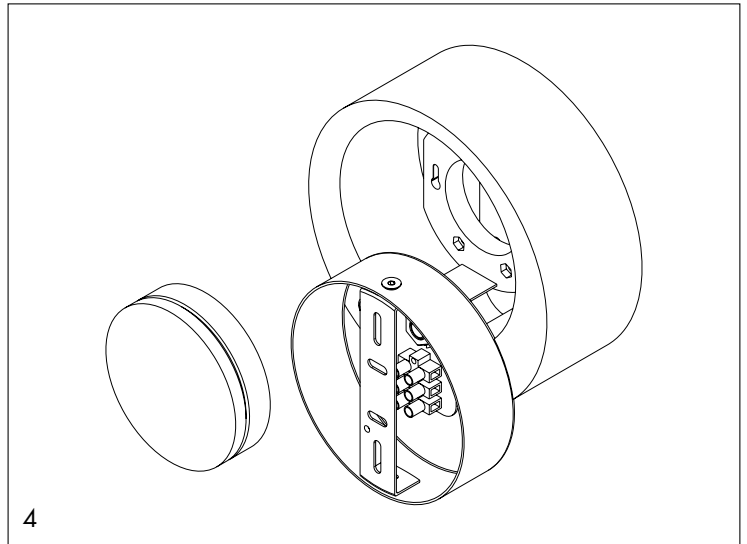


Connect to electricity.



Fix the ceiling rose with the screws on the mounting plate

## Bulb change



Insert the Gx53bulb.  
**Warning:** Use only LED

## safety instruction

Lamp suitable only for indoor use. The electrical connections must be carried out by specialized personnel. If this electrical wire or cord is damaged, it should be replaced exclusively by the manufacturer, its technical team or someone with an equivalent qualification in order to avoid any risk. The manufacturer is not responsible for improper use of the product.

## product care

Powder coated  
Dust gently with a duster or soft cloth. Do not use commercial cleaners. A clean soft damp rag may also be used.

Cantera  
Use a feather duster, a clean cloth, or vacuum with a clean brush attachment, do not wipe wet.

