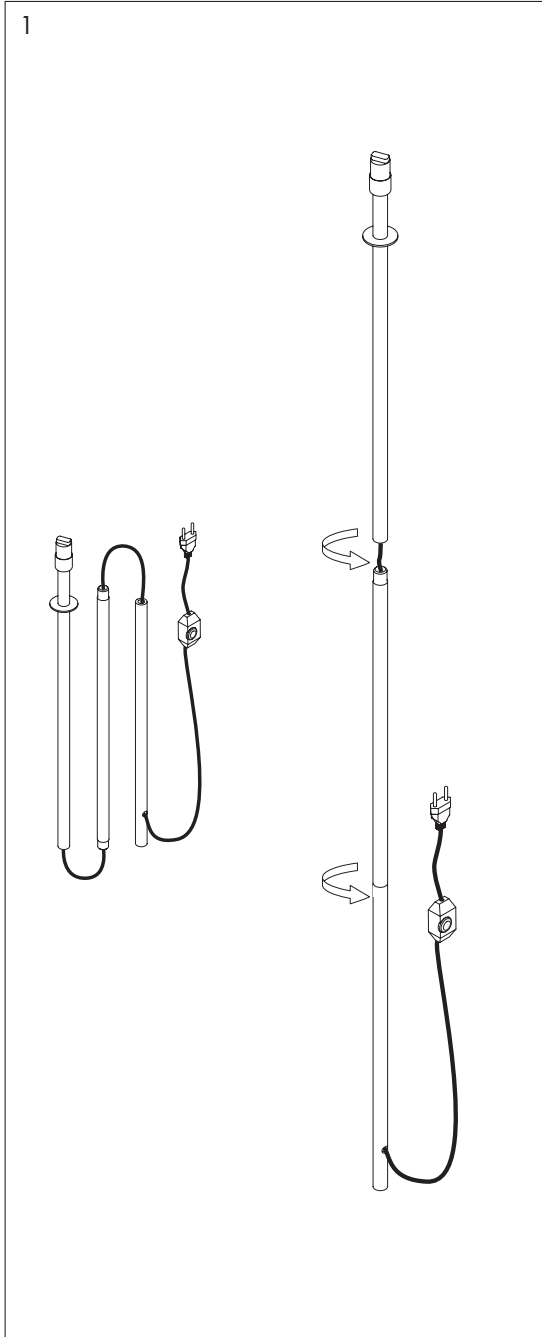


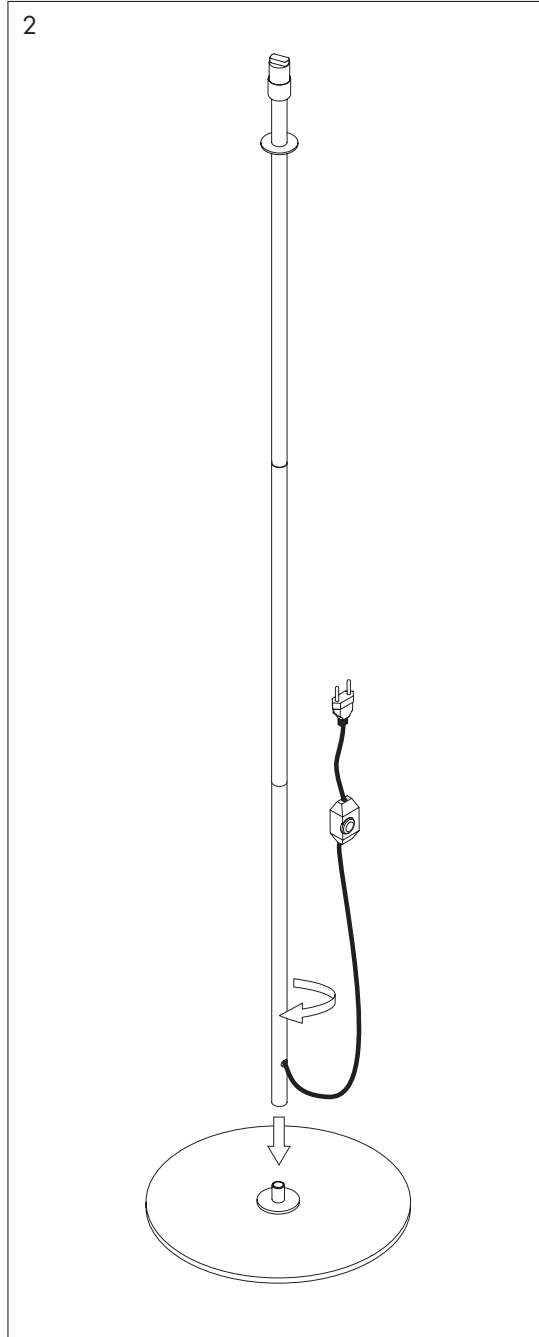
# Origo floor

assembly and mounting instructions

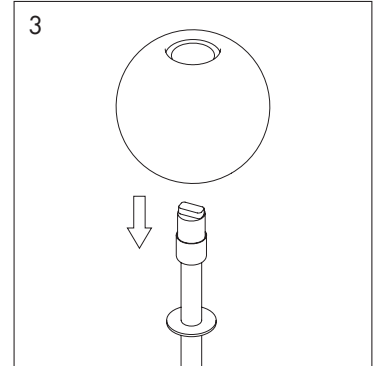
davidpompa



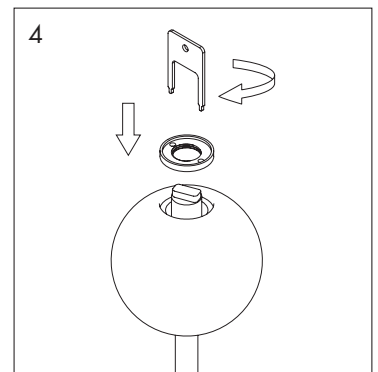
Screw the metal tubes together.



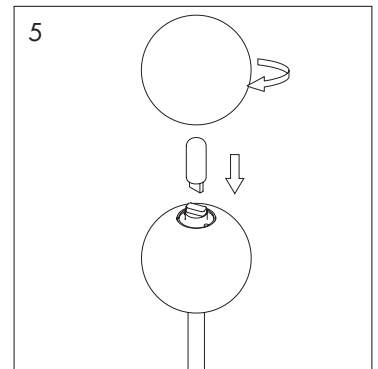
Screw the metal base to the tubes. Make sure that you screw the tubes straight to the base.



Put the volcanic stone on the top of the wall rose.



Fix the stone part with the disc. Take care to screw the stone part gently.



Insert the G9 bulb and screw the glass sphere into the socket. Take care to screw the glass sphere gently.  
**Warning:** Use only LED

## safety instruction

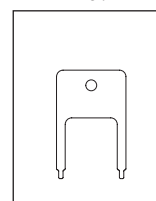
Lamp suitable only for indoor use. The electrical connections must be carried out by specialized personnel. If this electrical wire or cord is damaged, it should be replaced exclusively by the manufacturer, its technical team or someone with an equivalent qualification in order to avoid any risk. The manufacturer is not responsible for improper use of the product.

## product care

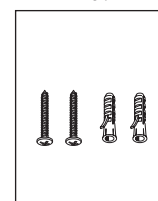
**Glass**  
For opal frosted glass, dust gently with a duster or soft rag. Do not scrub frosted glass.

**Recinto**  
Use a feather duster, a clean cloth, or vacuum with a clean brush attachment, do not wipe wet.

incl.



incl.



incl.

