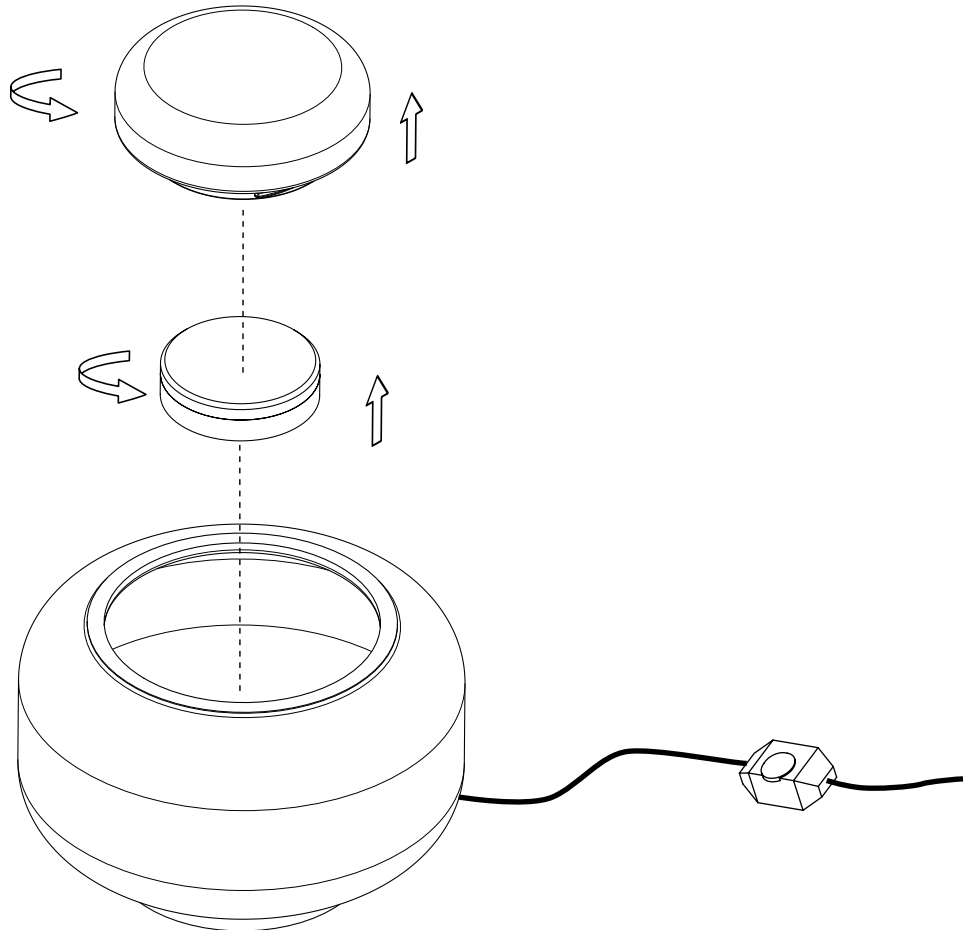


Trufa Table

assembly and mounting instructions

davidpompa



safety instruction

Lamp suitable only for indoor use. The electrical connections must be carried out by specialized personnel. If this electrical wire or cord is damaged, it should be replaced exclusively by the manufacturer, its technical team or someone with an equivalent qualification in order to avoid any risk. The manufacturer is not responsible for improper use of the product.

product care

Glass
For recycled handblown glass, wipe gently with a soft, clean cloth moistened with warm water: "isocol" rubbing alcohol may alternatively be used.

Powder coated
Dust gently with a duster or soft cloth. Do not use commercial cleaners. A clean soft damp rag may also be used.

Bulb change: Spin off the inside opal glass, then spin off the Gx53 Bulb.

Warning:

Use LED Gx53 Bulb only.

Use gloves while taking out the glass.

