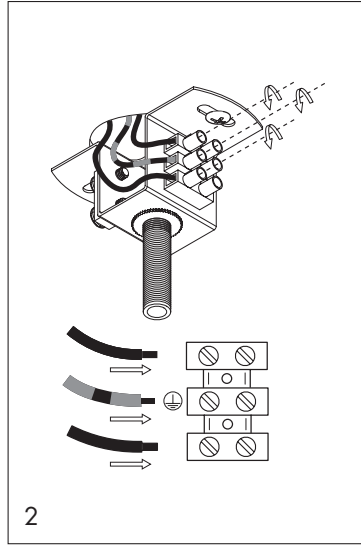
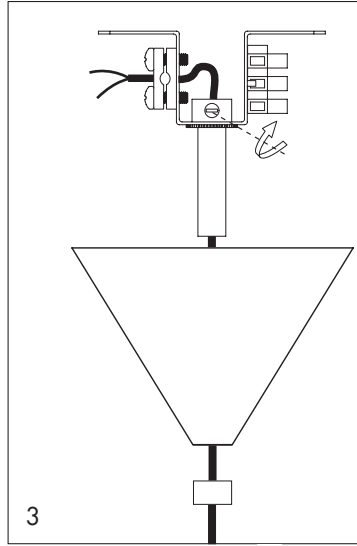


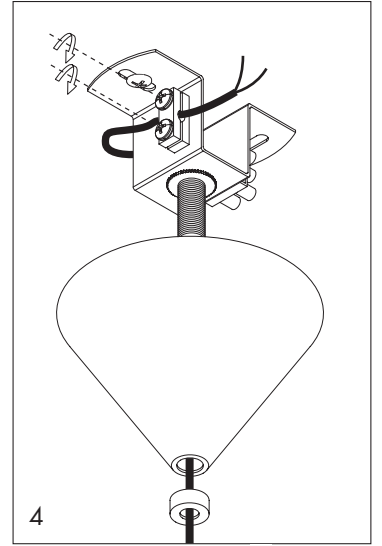
1  
Disconnect the power by turning off the circuit breaker, or by removing the fuse in the fuse box before assembling and mounting the canopy. Fix the mounting plate to the ceiling with the dowels and screws.



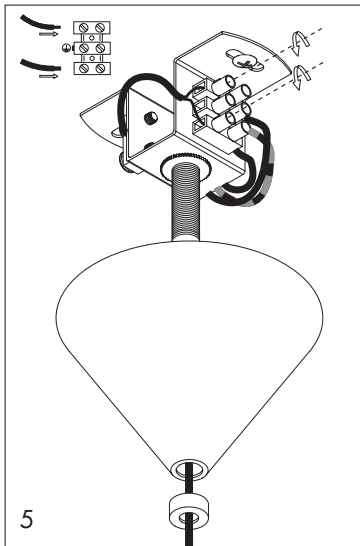
2  
Connect the cable to the terminal block.



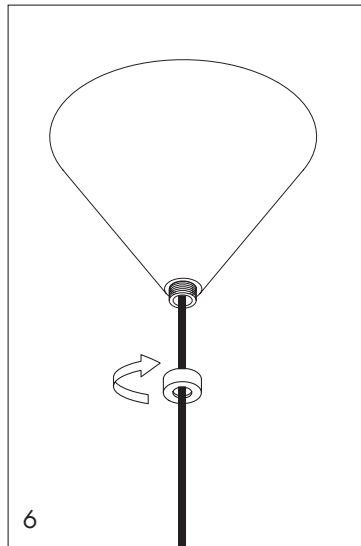
3  
Fix the lamp cable with the fixing screw on the ceiling box. Take care to screw the screw gently but firmly



4  
Fix the lamp cable with the fixing bracket on the side to double secure.

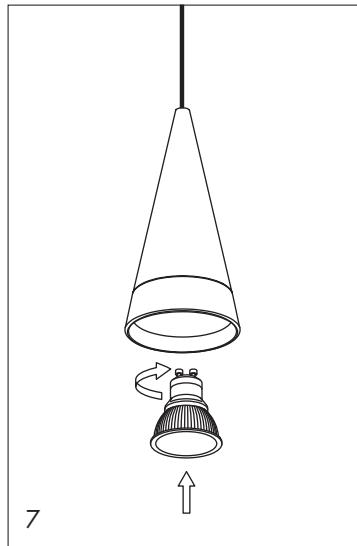


5  
Connect the cable of the lamp to the terminal block.



6  
Fix the ceiling rose cover with the fixing nut.

### Bulb change



7  
Insert the GU10 bulb and screw in the metal tube.  
**Warning:** Use only LED

## safety instruction

Lamp suitable only for indoor use. The electrical connections must be carried out by specialized personnel. If this electrical wire or cord is damaged, it should be replaced exclusively by the manufacturer, its technical team or someone with an equivalent qualification in order to avoid any risk. The manufacturer is not responsible for improper use of the product.

## product care

**Barro Negro**  
Use a soft clean cloth or a vacuum with a clean brush attachment, do not wipe wet.

**Copper**  
Copper is lacquered lightly to seal and prevent patinas. Dust gently with a duster or soft cloth. Do not use commercial cleaners. A clean soft damp rag may also be used.

