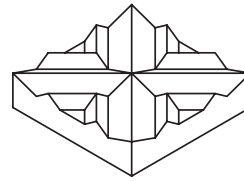


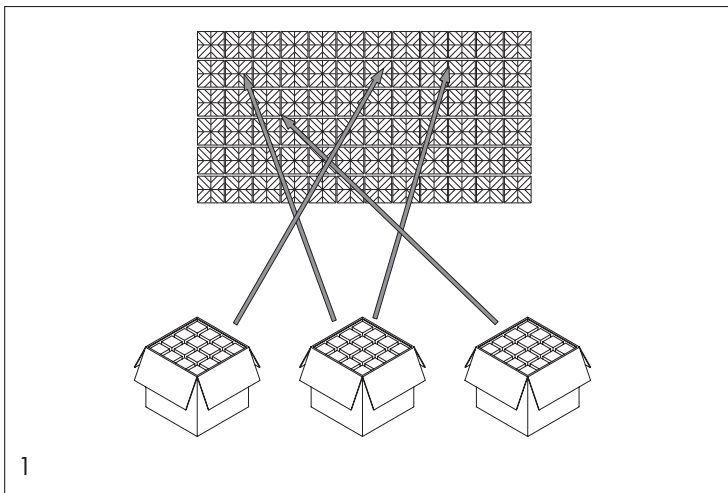
Masterbox 52 tiles
 Packaging size 34x34x20cm
 packaging weight 13kg



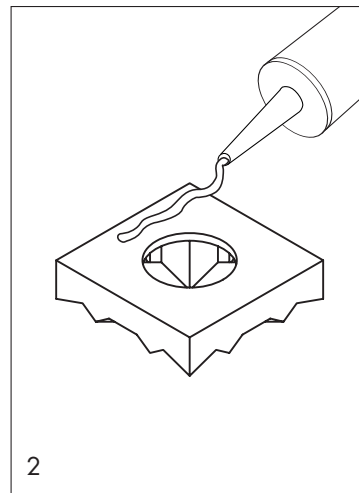
Please note!

Before fixing mark the area that you want to cover with the rajo tiles.
 Please note that our pieces are 100% handcrafted so there is a 5mm variation between pieces and that distance should be considered before application.
 The tiles are exclusive for indoor walls.
 Don't use it for the floor or outdoor application.

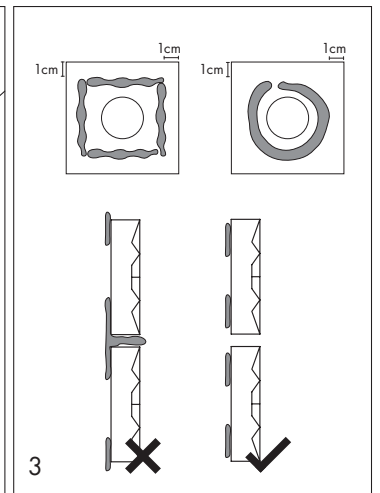
Barro Negro
 Use a soft clean cloth or a vacuum with a clean brush attachment,
 do not wipe wet.



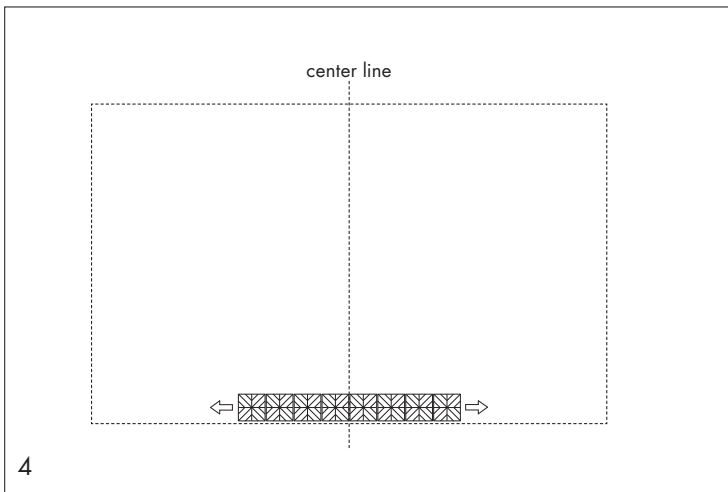
1
 If you get more than 1 box please get sure to mix the tiles of each box during the installation process to create a uniform appearance.



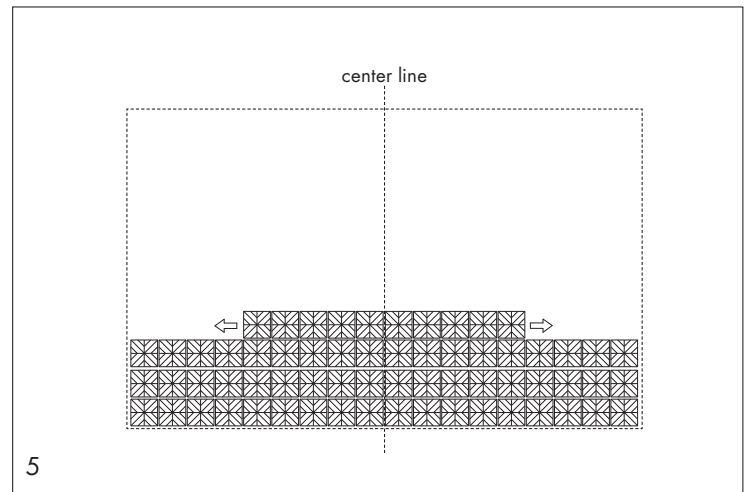
2
 You can use any adhesive or silicone suitable for the installation of tiles. Please take note, silicon varies depending on the surface to be glued. We suggest to use "No More Nails®". Apply the adhesive on the back of the tile.



3
 The glue can be applied in a circle or in a square shape around the hole of the tile. The distance between the adhesive and the outer edge should be bigger than 1cm otherwise the adhesive may leak out.



4
 Start to glue the tiles at the bottom and in the middle of the marked area.



5
 Continue with point 4 until you reach the required height.
Please note:
Do not use grout for closing the gaps!