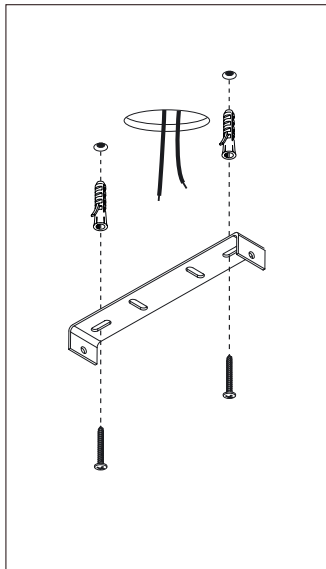


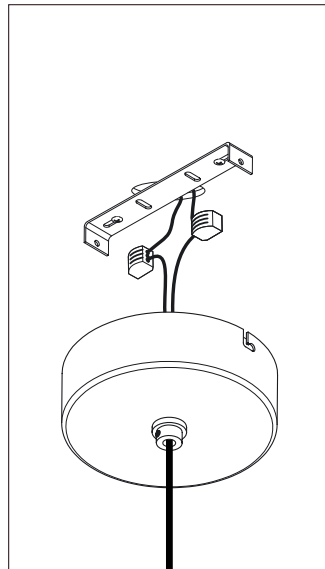
amelia

assembly and mounting instructions

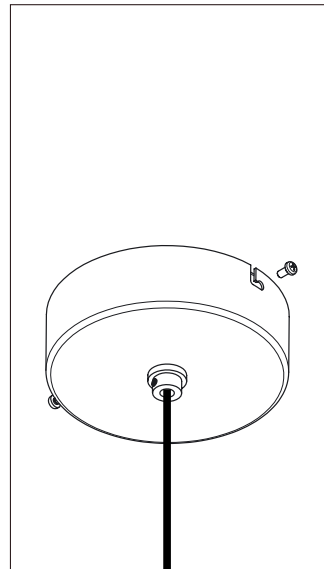
davidpompa



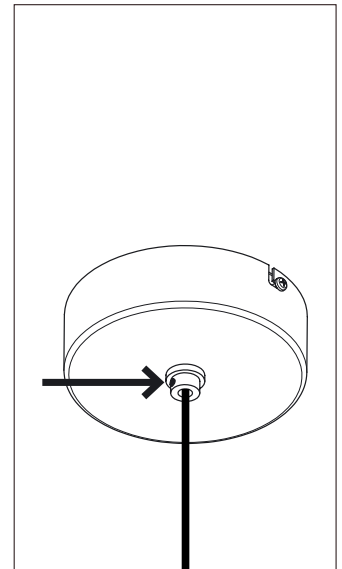
- 1 Disconnect the power by turning off the circuit breaker, or by removing the fuse in the fuse box before assembling and mounting the canopy.
Fix the mounting plate to the ceiling with dowels and screws.



- 2 Connect to electricity.

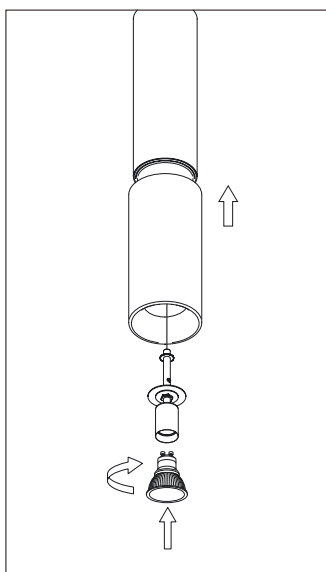


- 3 Fix the ceiling rose with the screws on the mounting plate.



- 4 Secure the fixing screw.

bulb change



- 1 Lift the brass and wood part. Insert the GU10 bulb.
Warning: Use only LED

product care

Brass

Brass is lacquered lightly to seal and prevent patinas. Dust gently with a duster or soft cloth. Do not use commercial cleaners. A clean soft damp rag may also be use.

Wood

Dust with a slightly damp, soft, lint-free cloth. Wipe with a dry cloth in the direction of the wood grain.

Twice a Year:

Apply a good quality furniture polish with a soft cloth. Do not use aerosol-powered cleaners or polishes. Also, do not use polishes containing waxes or abrasives, or polishes that are oil-based.

safety instruction

Lamp suitable only for indoor use.

The electrical connections must be carried out by specialized personnel. If this electrical wire or cord is damaged, it should be replaced exclusively by the manufacturer, its technical team or someone with an equivalent qualification in order to avoid any risk. The manufacturer is not responsible for improper use of the product.