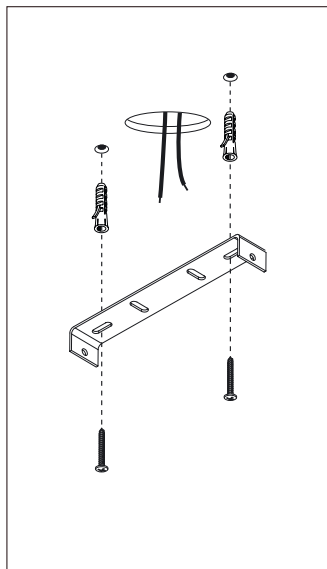


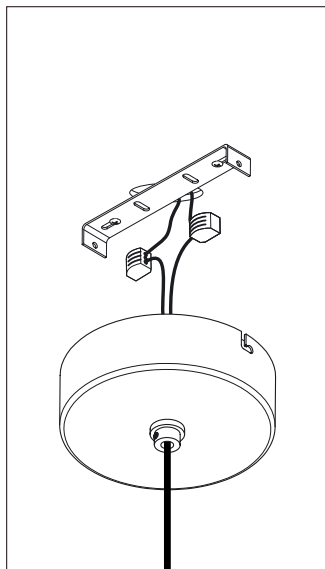
caleta

assembly and mounting instructions

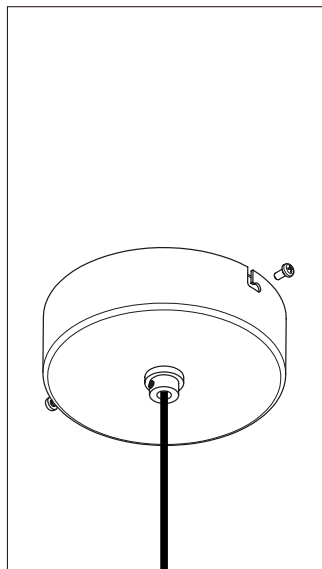
davidpompa



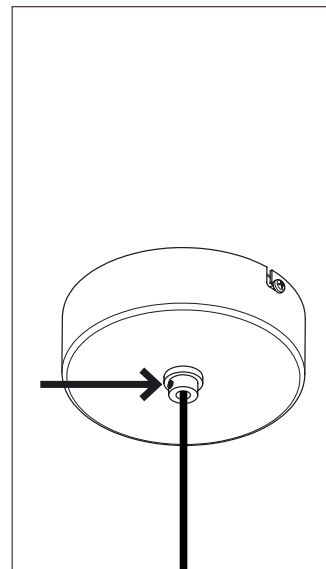
- 1 Disconnect the power by turning off the circuit breaker, or by removing the fuse in the fuse box before assembling and mounting the canopy.
Fix the mounting plate to the ceiling with dowels and screws.



- 2 Connect electricity

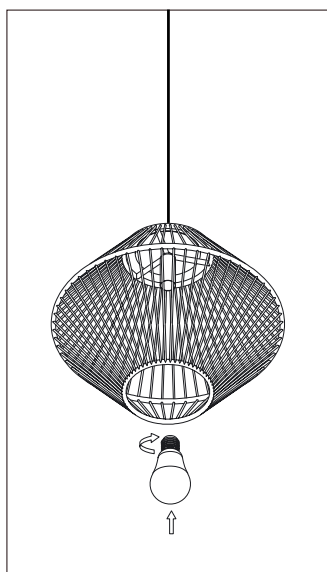


- 3 Fix the ceiling rose with the screws on the mounting plate.



- 4 Secure the fixing screw.

bulb change



- 1 Insert the E27 bulb

product care

PVC

Use a feather duster, a soft clean cloth or a vacuum with a clean brush attachment.

For stubborn stains, clean the surface using a clean absorbent cloth with a solution of mild soap and warm water. Wipe surfaces with a damp cloth and dry with a clean cloth.

Make sure cleaning materials are free of grit and other foreign materials. Avoid using glass cleaners, abrasive cleaning compounds, ammonia, or bleach; they may damage the surface of the plastic and result in discoloration.

safety instruction

Lamp suitable only for indoor use. The electrical connections must be carried out by specialized personnel. If this electrical wire or cord is damaged, it should be replaced exclusively by the manufacturer, its technical team or someone with an equivalent qualification in order to avoid any risk. The manufacturer is not responsible for improper use of the product.