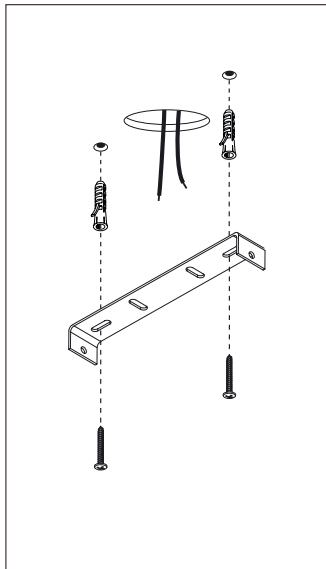


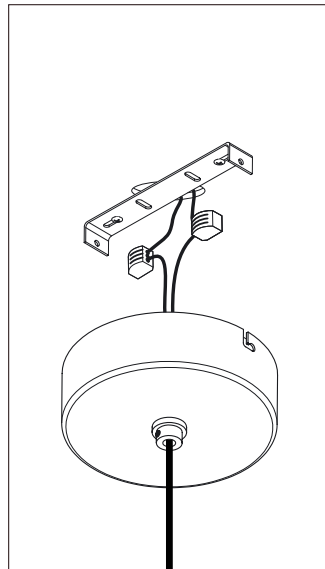
oola

assembly and mounting instructions

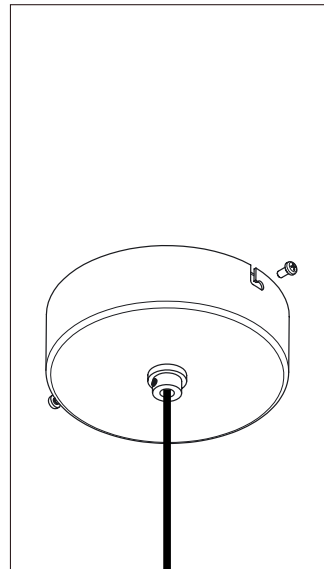
davidpompa



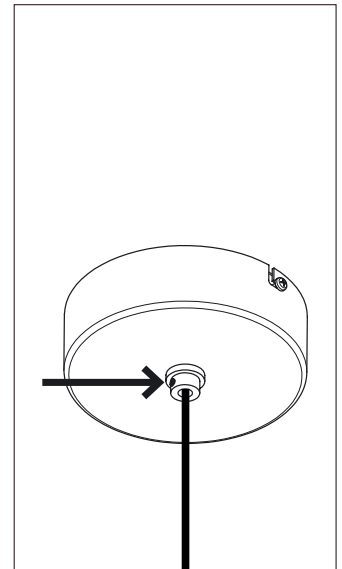
1 Disconnect the power by turning off the circuit breaker, or by removing the fuse in the fuse box before assembling and mounting the canopy.
Fix the mounting plate to the ceiling with dowels and screws.



2 Connect to electricity.

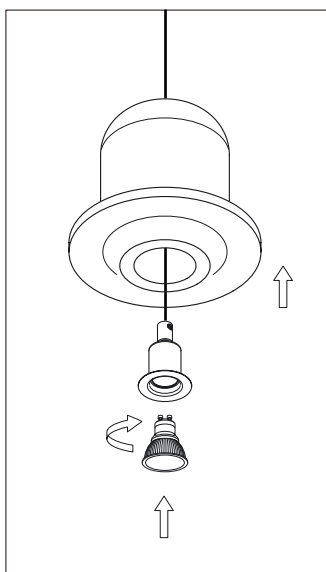


3 Fix the ceiling rose with the screws on the mounting plate.



4 Secure the fixing screw.

bulb change



1 Lift the onyx part and insert the GU10 bulb.
Warning: Use only LED

product care

Onyx
Use a soft rag, a clean so white cloth, or vacuum with a clean so brush attachment as needed, do not wipe wet.

Steel
Steel is lacquered lightly to seal and prevent patinas. Dust gently with a duster or soft cloth. Do not use commercial cleaners. A clean soft damp rag may also be use.

safety instruction

Lamp suitable only for indoor use. The electrical connections must be carried out by specialized personnel. If this electrical wire or cord is damaged, it should be replaced exclusively by the manufacturer, its technical team or someone with an equivalent qualification in order to avoid any risk. The manufacturer is not responsible for improper use of the product.