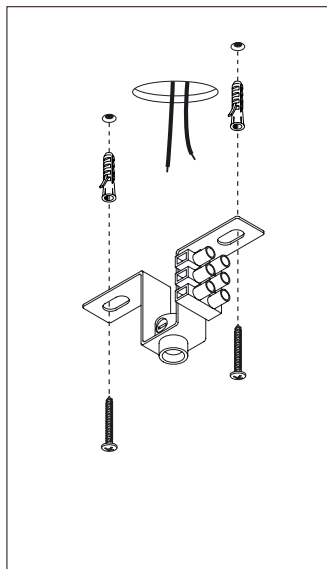


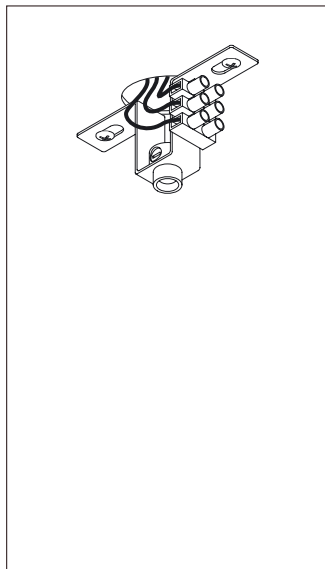
# origo

## assembly and mounting instructions

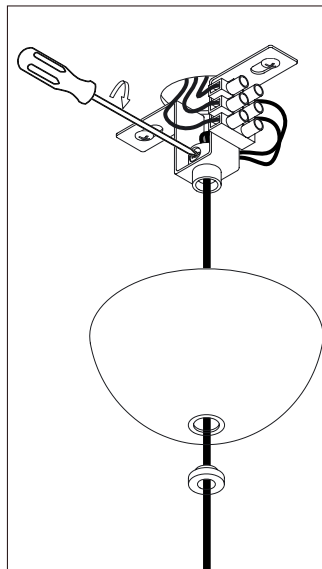
davidpompa



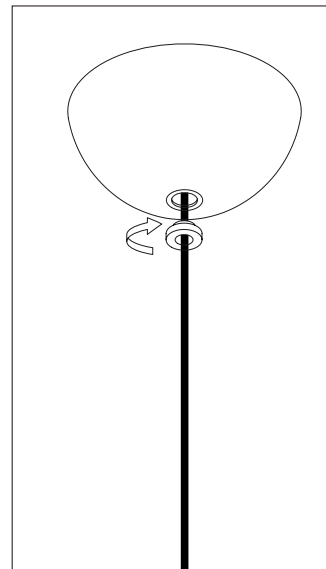
- 1 Disconnect the power by turning off the circuit breaker, or by removing the fuse in the fuse box before assembling and mounting the canopy.  
Fix the mounting plate to the ceiling with dowels and screws.



- 2 Connect the electricity to the terminal block.

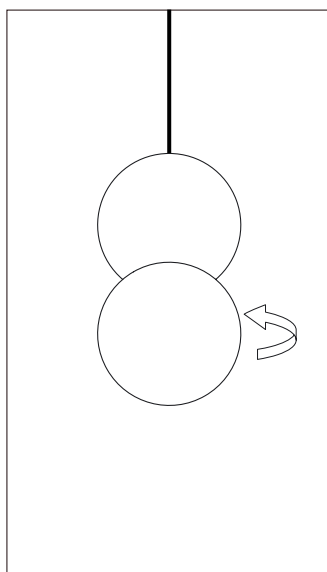


- 3 Fix the lamp with the fixing screw on the ceiling box and connect it to the terminal block.

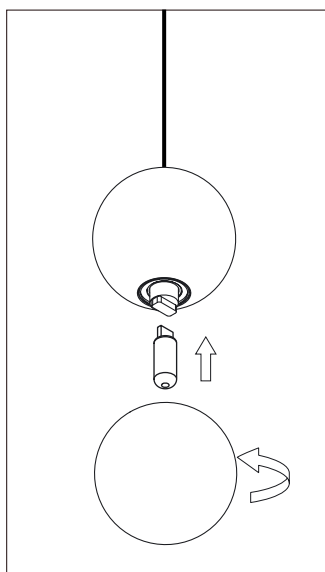


- 4 Fix the ceiling rose cover with the nut.

## bulb change



- 1 Twist off the glass sphere.



- 2 Insert the G9 bulb and screw in the glass sphere. Take care to screw the glass sphere gently.  
**Warning:** Use only LED

## product care

### Glass

For opal frosted glass, dust gently with a duster or soft rag. Do not scrub frosted glass.

### Recinto

Use a feather duster, a clean cloth, or vacuum with a clean brush attachment, do not wipe wet.

## safety instruction

Lamp suitable only for indoor use. The electrical connections must be carried out by specialized personnel. If this electrical wire or cord is damaged, it should be replaced exclusively by the manufacturer, its technical team or someone with an equivalent qualification in order to avoid any risk. The manufacturer is not responsible for improper use of the product.