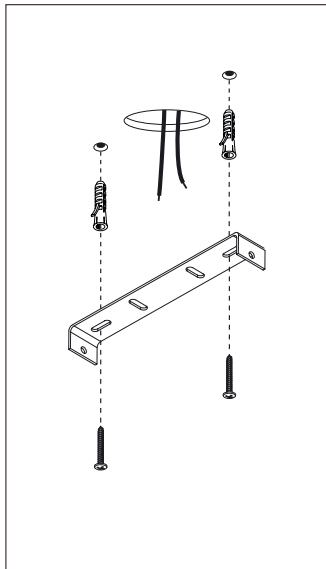


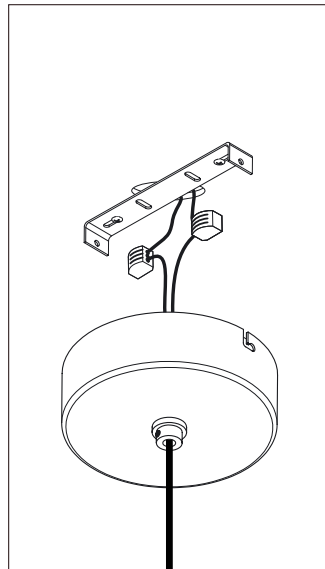
# la trufa mini

## assembly and mounting instructions

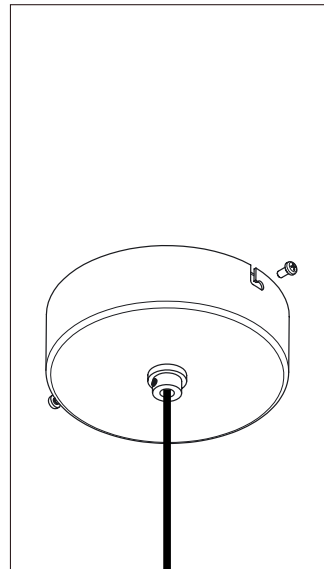
davidpompa



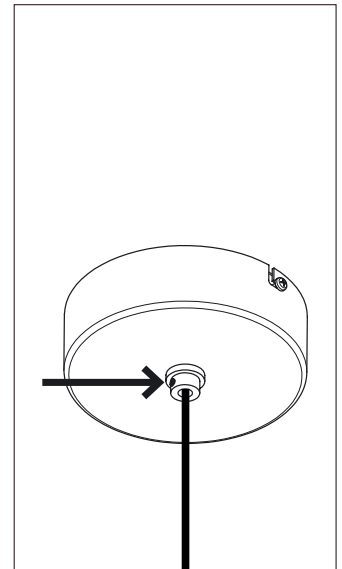
- 1 Disconnect the power by turning off the circuit breaker, or by removing the fuse in the fuse box before assembling and mounting the canopy. Fix the mounting plate to the ceiling with dowels and screws.



- 2 Connect to electricity.

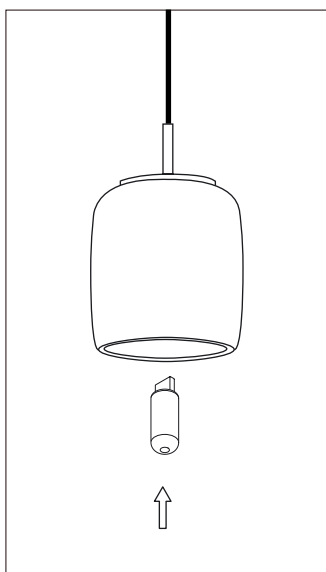


- 3 Fix the ceiling rose with the screws on the mounting plate.



- 4 Secure the fixing screw.

## bulb change



- 1 Insert the G9 bulb.  
**Warning:** Use only LED

## product care

### Glass

For recycled handblown glass, wipe gently with a soft, clean cloth moistened with warm water: "isocol" rubbing alcohol may alternatively be used. For frosted or etched glass, dust gently with a duster or soft rag. Do not scrub frosted glass. Removable shades can be washed carefully in warm to hot water in the sink with minimal cleaning solution.

## safety instruction

Lamp suitable only for indoor use. The electrical connections must be carried out by specialized personnel. If this electrical wire or cord is damaged, it should be replaced exclusively by the manufacturer, its technical team or someone with an equivalent qualification in order to avoid any risk. The manufacturer is not responsible for improper use of the product.