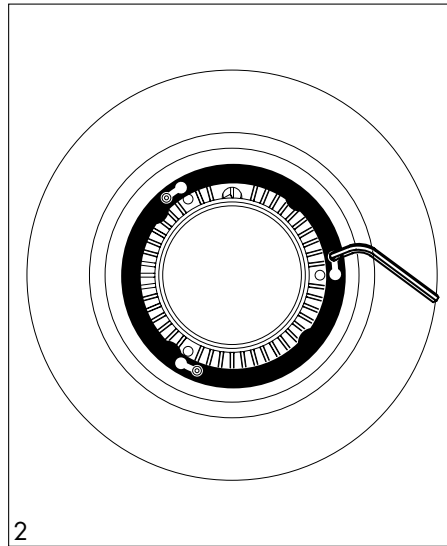


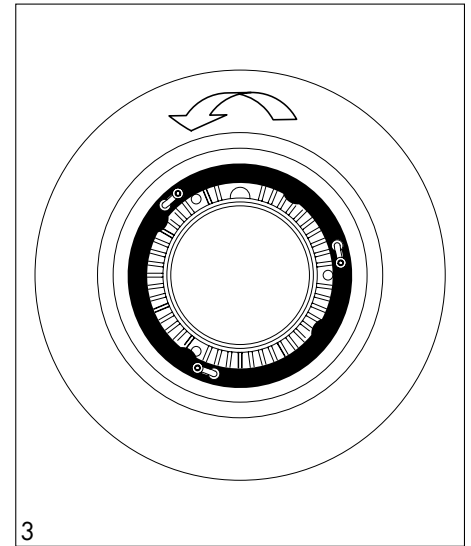
1 Remove the interior opal glass.

Warning: Disconnect the power by turning off the circuit breaker, or by removing the fuse in the fuse box before assembling and mounting the canopy.



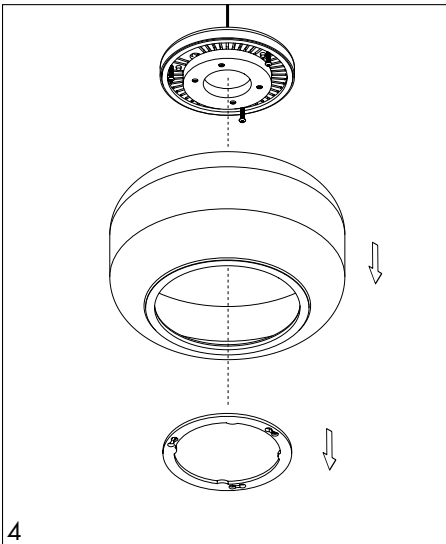
2 Use the allen key to unscrew the 3 screws that are holding the black ring.

CAUTION! Loose the screws slightly, not completely. They should stay on the base.



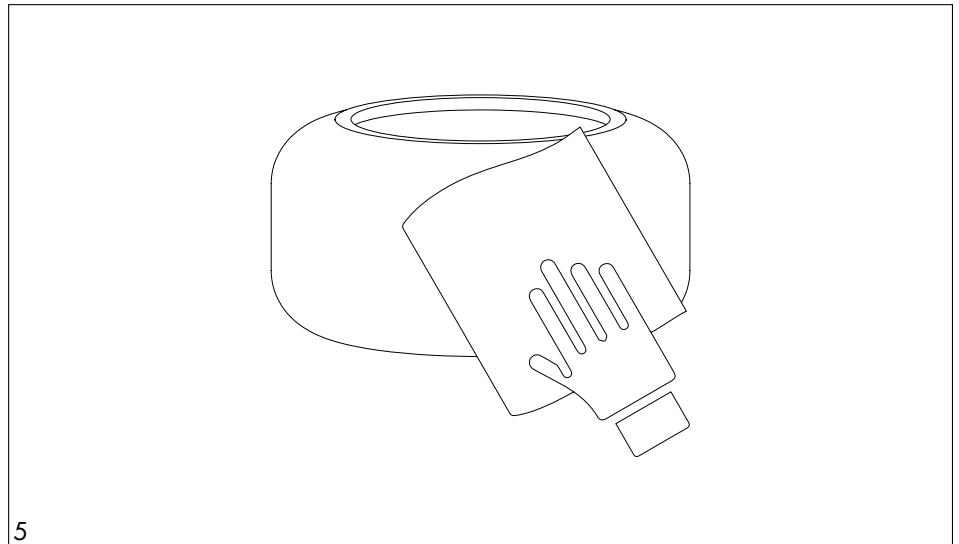
3 Rotate the black disc counterclockwise to release the black ring and the glass.

CAUTION! This action will release the outside glass



4 Take out the ring and take out the glass.

CAUTION! This action will release the outside glass.



5 Clean the glass with a damp cloth.

CAUTION! Do not use alcohol or other hard chemicals on the piece.

safety instruction

Lamp suitable only for indoor use.

The electrical connections must be carried out by specialized personnel. If this electrical wire or cord is damaged, it should be replaced exclusively by the manufacturer, its technical team or someone with an equivalent qualification in order to avoid any risk. The manufacturer is not responsible for improper use of the product.

incl.

